



## New! The 5000 inverter generation

The development of the two inverter series POSIDRIVE® MDS 5000 and FDS 5000 has created a completely new hardware platform for the capabilities of the new POSITool programming and parameterization software. A full revision of the STÖBER ANTRIEBSTECHNIK power electronics could then be initiated.



### POSIDRIVE® FDS 5000

Practical engineering for feed and positioning drives is a feature of this new inverter, which has been optimized for MGS geared motors.

Its functional design is intended mainly for the requirements for packaging installations, automation engineering and machine tools.

With three different operating modes, actuators of very specific design can be mapped:

**VC mode** with speed feedback and high-dynamic vector control

**SLVC** motor control through sensorless vector control

**V/f** motor control through frequency selection

### POSIDRIVE® MDS 5000

Fully digital inverter for control of the ED/EK synchronous servo motors and MGS system motors (asynchronous).

This universal technology develops new potential for innovative actuator system concepts.

A special feature is multimotor operation with the POSISwitch® AX 5000 digital axis changeover switch. One POSIDRIVE® MDS 5000 can control up to 4 servo drives alternatively. Even an asynchronous motor can be integrated in the axis changeover system.

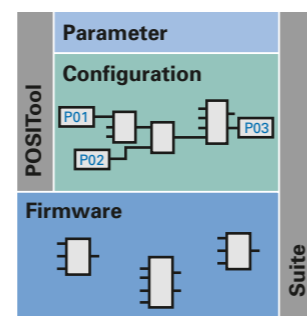
## New! 5<sup>th</sup> generation software

The software suite V5.2 contains the POSITool device and parameterization software, a comprehensive library of standard applications and the firmware for MDS 5000 and FDS 5000. The development of POSITool has created a new, fully integrated 3-level architecture. It offers clarity, maximum reliability and efficiency for program generation and start-up.

### Easy, fast and accurate

The applications library with its pre-produced basic applications in conformance with PLCopen offers modules for:

- Fast reference value
- Comfort reference value
- Motion block positioning
- Command positioning with the special POSILatch function. Position measurements can then be taken on external signals (e.g. linear measurements)
- Synchronous command positioning
- Cam command positioning



### For general users

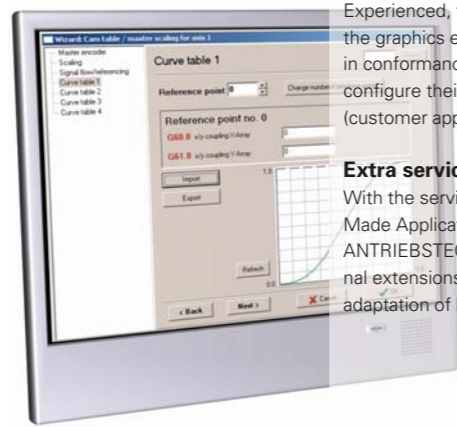
The consistent project orientation of the modules gives users effective support when programming standard applications. The Assistant function ensures that parameterization proceeds efficiently.

### For experts

Experienced, trained users can use the graphics editor layer (extended in conformance with PLCopen) to configure their own applications (customer application).

### Extra service

With the service package 'Tailor Made Application' STÖBER ANTRIEBSTECHNIK offers functional extensions or comprehensive adaptation of basic applications.



## Accurate start-up Easiest possible use

Every drive should be adapted to the actual situation with the necessary care. During the inverter planning phase, the axis functionality is matched perfectly to the requirements with the help of the hardware and software. STÖBER ANTRIEBSTECHNIK offers various functional modules for start-up and for use in operation.

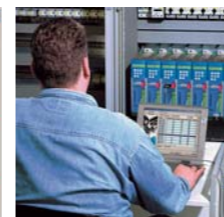
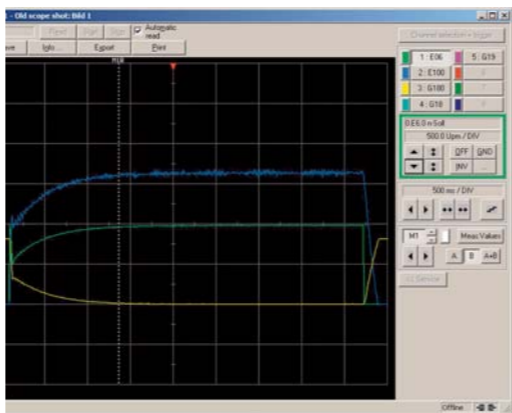


### CONTROLBOX

Universal terminal for parameterization and start-up. With display and keypad for fast diagnosis, status monitoring, direct parameter access and manual operation functions.

### PARAMODUL

Plug-in memory module for easy data transfer of all program and settings data (also for unit replacement). Ideal for documenting operational data.



### POSISCOPE

Diagnostic tool for individual drive optimization. This software tool minimizes the number of trial runs.

## STÖBER presence

### STÖBER hotline

+49 180 5 786323

For a global telephone presence 24/7 and out of hours emergencies, expert STÖBER technology advisers are available to offer help and advice to customers and users at any time.

### STÖBER service network

Support and service for worldwide installations are guaranteed by the STÖBER INTERNATIONAL SERVICE NETWORK. 99 trained service partners in 38 countries work in close communication with STÖBER ANTRIEBSTECHNIK.

### STOBER DRIVES LTD.

Waltham Abbey  
ESSEX EN9 1JH  
GREAT BRITAIN  
eMail: mail@stober.co.uk  
www.stober.co.uk

### STOBER DRIVES, INC.

MAYSVILLE, KY 41056  
USA  
eMail: sales@stober.com  
www.stober.com

### STÖBER ANTRIEBSTECHNIK GmbH

4662 STEYRERMÜHL  
AUSTRIA  
eMail: office@stober.at  
www.stober.at

### STÖBER Schweiz AG

6341 BAAR  
SWITZERLAND  
eMail: info@stober.ch  
www.stober.ch

### STÖBER S.a.r.l.

69300 CALUIRE ET CUIRE  
FRANCE  
eMail: mail@stober.fr  
www.stober.fr

### STÖBER TRASMISSIONI s.r.l.

20017 MAZZO DI RHO (MILANO)  
ITALY  
eMail: info@stober.it  
www.stober.it

### STOBER POLSKA

51-126 WROCLAW  
POLEN  
eMail: biuro@stober.pl  
www.stober.pl

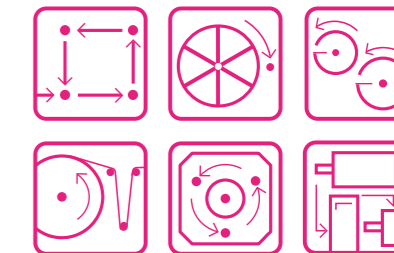
### DAE KWANG STOEBER CO. LTD.

SIHEUNG CITY, GYUNGGI DO  
REPUBLIC OF KOREA  
eMail: dkstober@stober.co.kr

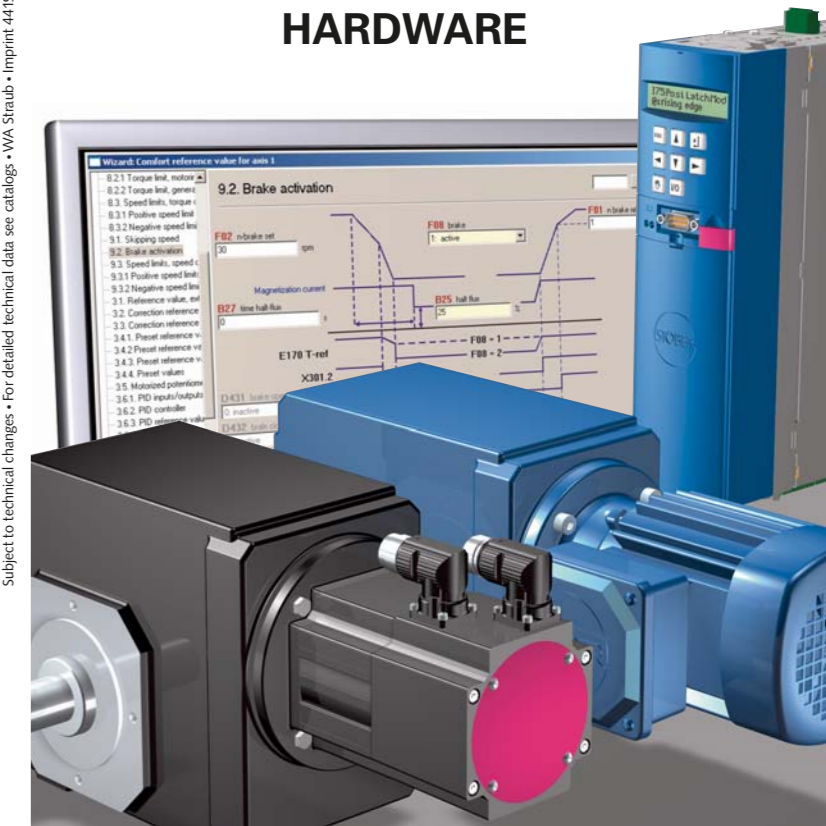
### STÖBER ANTRIEBSTECHNIK GmbH + Co. KG

Kieselbronner Str. 12  
75177 PFORZHEIM  
GERMANY  
Phone +49 7231 582-0  
Fax +49 7231 582-1000  
eMail: mail@stober.de

## FREELY CONFIGURABLE SYSTEM DRIVES



## SOFTWARE AND HARDWARE





## Optimized drive technology for automation, industrial plants and engineering

The wide range of STÖBER hardware makes it possible to configure the right actuator technology consistently for every specification. So costs can be optimized without having to accept technical risks.

### Servo drives with high dynamics or high output

These variable performance features of the ED and EK servo motor series form the basis for perfectly designed servo drives.

### SMS and MGS geared motors are characterized by

Power and speed are logically grouped. All gear units feature a torsionally rigid, leakage-proof block design. The units' low heat generation makes for maintenance-free operation.

## STÖBER power electronics

**POSIDYN® SDS 4000 servo inverter**  
Fully digital, for SMS geared motors  
Rated current 1.5 to 40 A  
FDS Tool parameterization software



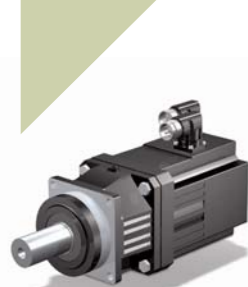
**POSIDRIVE® MDS 5000 servo inverter**  
Fully digital, for SMS and MGS geared motors  
Rated current 3 x 4 to 3 x 60 A  
Motor power 0.75 to 45 kW  
POSITool programming and parameterization software



**POSIDRIVE® FDS 5000 frequency inverter**  
for MGS geared motors  
Motor power 0.37 to 7.5 kW  
POSITool programming and parameterization software



## SMS geared motors



**SMS P planetary geared motor**  
Accelerating torque: 22 – 3,000 Nm  
Backlash: < 3 – 8 arcmin  
**Universal unit for power and precision**



**SMS PH planetary geared motor**  
Accelerating torque: 65 – 7,500 Nm  
Backlash: < 3 arcmin (PH3 < 4 arcmin)  
**Designed for high-performance servo drives**



**SMS PHKX right-angle planetary geared motor**  
Accelerating torque: 65 – 7,500 Nm  
Backlash: < 3 – 6 arcmin  
**With compact right-angle planetary gear unit**



**SMS PHK right-angle planetary geared motor**  
Accelerating torque: 320 – 7,500 Nm  
Backlash: < 3.5 – 4.5 arcmin  
**Lots of potential with low backlash**



**SMS F shaft-mounted helical geared motor**  
Accelerating torque: 120 – 1,100 Nm  
Backlash: reduced < 5 – 8 arcmin  
**Coaxial servo axis**



**SMS S helical worm geared motor**  
Accelerating torque: 80 – 800 Nm  
**Compact and inexpensive**



**SMS PA planetary geared motor**  
Accelerating torque: 65 – 1,600 Nm  
Backlash: < 1 - 3 arcmin  
**Precision for positioning and synchronism**



**SMS PHA planetary geared motor**  
Accelerating torque: 65 – 7,500 Nm  
Backlash: < 1 arcmin (PHA3 < 2 arcmin)  
**The non-plus-ultra drive for uncompromising servo applications**



**SMS PKX right-angle planetary geared motor**  
Accelerating torque: 22 – 3,000 Nm  
Backlash: < 4 – 8.5 arcmin  
**With compact right-angle planetary gear unit**



**SMS PK right-angle planetary geared motor**  
Accelerating torque: 300 – 1,600 Nm  
Backlash: < 3.5 - 5 arcmin  
**Versatile, with gear ratios from 12 to 561**

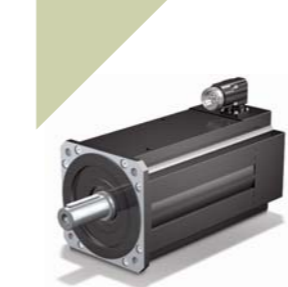


**SMS C helical geared motor**  
Accelerating torque: 70 – 8,000 Nm  
Backlash: < 10 - 20 arcmin  
**Various housing options**



**SMS K helical bevel geared motor**  
Accelerating torque: 135 – 13,200 Nm  
Backlash: reduced class I < 1.5 - 3 arcmin  
**Versatile with flange, solid or hollow shaft**

## Motors



**ED servo motor**  
Slim design, high maximum torque  
6 sizes: ED 202 – ED 808  
Static torque: 0.43 – 84 Nm  
**Optimized for applications with high dynamics**

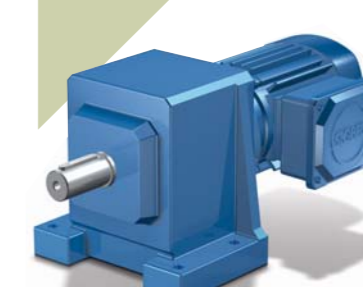


**MGS system motor**  
Three-phase AC asynchronous motor  
Motor power: 0.12 – 45 kW  
**Optional: brake, forced cooling fan, incremental encoder or multitrans absolute encoder**

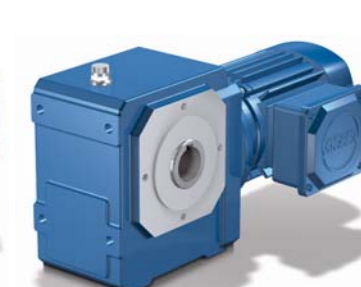


**EK servo motor**  
Compact design, strong torque  
3 sizes: EK 501 – EK 803  
Static torque: 3.36 – 33.5 Nm  
**Excellent true running at low speeds**

## MGS geared motors



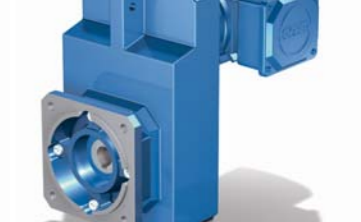
**MGS C helical geared motor**  
Accelerating torque: 70 – 8,000 Nm  
Backlash: < 10 - 20 arcmin  
**Versatile, with different housing options**



**MGS S helical worm geared motor**  
Rated torque: 80 – 800 Nm  
**Compact and inexpensive for standard tasks**



**MGS K helical bevel geared motor**  
Accelerating torque: 135 – 13,200 Nm  
Backlash: < 10 - 12 arcmin  
**Highly rigid geared motor**



**MGS F shaft-mounted helical geared motor**  
Accelerating torque: 120 – 1,100 Nm  
Backlash: < 10 – 11 arcmin  
**Particularly suitable as travel drive**